

# CTX65CS

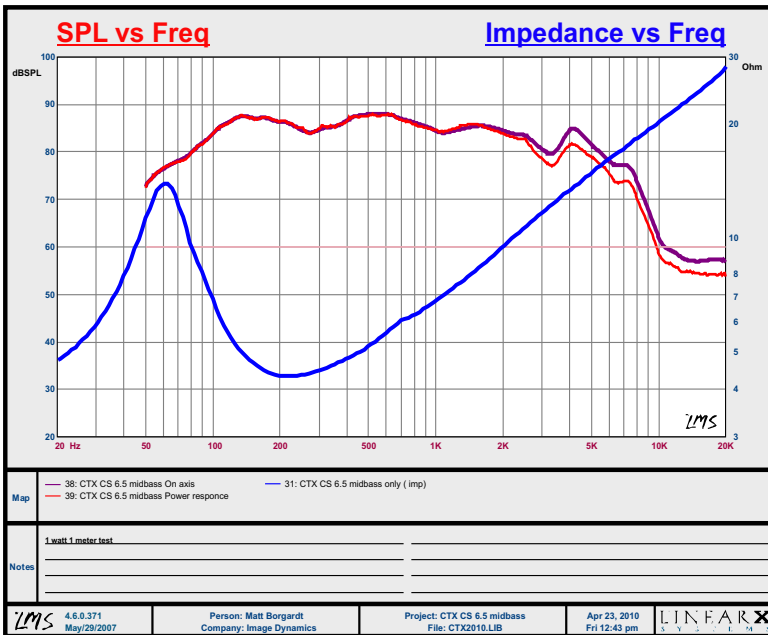


6.5" Woofer / Mid Bass

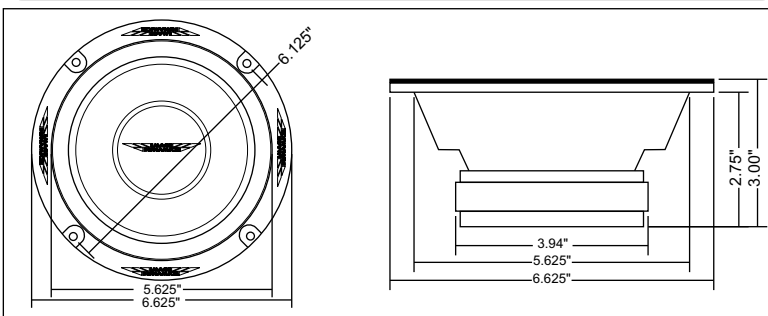
www.imagedynamicsusa.com



## Frequency Response / Impedance



## Mechanical Drawing



## Technical Specifications

### 6.5" Woofer / Mid bass Driver

CTX65CS 6.5" 4 Ohm

<b>Power Handling</b>	RMS Nominal	100 watts
	RMS Program	200 watts
<b>Ideal for Amplifiers 20 watts to 200 watts RMS Channel</b>		
<b>Impedance</b>	4 Ohms minimum	
<b>Sensitivity</b>	1 watt / 1 meter	88 dB
	2.83 volts	91 dB
<b>DC Resistance</b>	3.5 ohms	
<b>Voice Coil Diameter</b>	35 mm	
<b>Voice Coil Height</b>	12.5 mm	
<b>Gap Height / Coil overhang</b>	6 mm / 6.5 mm	
<b>Xmax 1-way @ 10% THD</b>	4 mm	
<b>VC Wire / Layers / former</b>	copper / 2 layers /BAA	
<b>Magnet Material</b>	Ferrite Grade 5	
<b>Flux Density Bg</b>	.985 T	
<b>Driver Weight</b>	2.5 lbs	

## Parameters

<b>Fs</b>	62
<b>Vas (Liters)</b>	7.93
<b>Qes</b>	.735
<b>Qms</b>	1.811
<b>Qts</b>	.523
<b>Sd (cm<sup>2</sup>)</b>	139.5
<b>Splo</b>	86.3
<b>Mms (grams)</b>	22.948
<b>Cms (um/N)</b>	286
<b>Inductance (mH @ 1kHz)</b>	.594
<b>Bl (TM)</b>	6.529